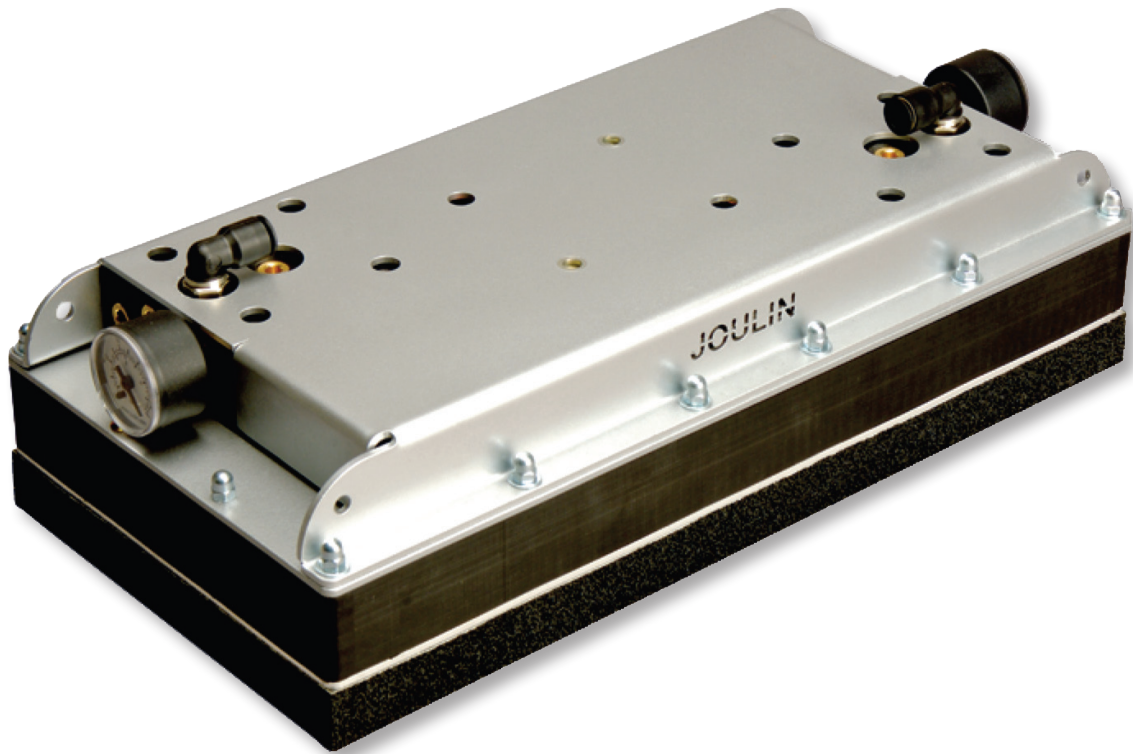


**JOULIN**



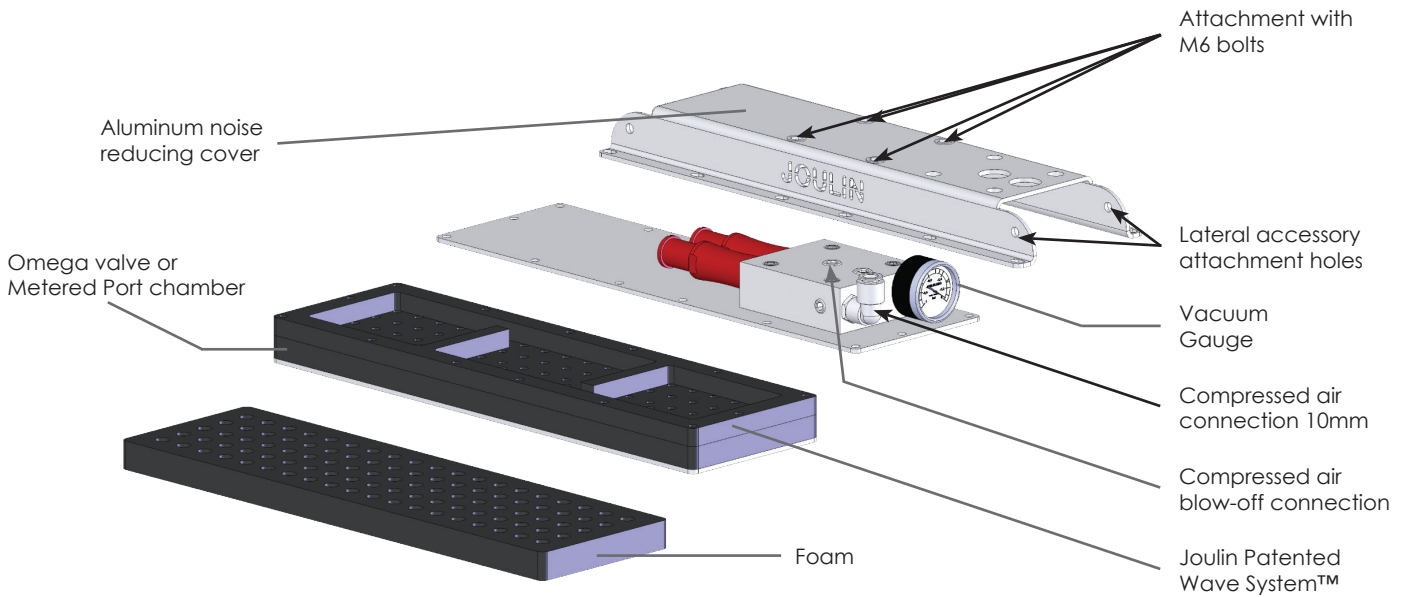
# PLUG & PICK

## Foam Vacuum Gripper

Designed,  
engineered and  
ready for installation

# PLUG & PICK

## Foam Vacuum Gripper



**PP-**

Range  
of the gripper

**VG**

Technology :  
- VG = Valve Gripper  
- PG = Port Gripper

**120x400**

Dimensions :  
- 120x230 mm  
- 120x400 mm  
- 200x400 mm  
- 160x600 mm

**P20**

Pitch :  
- P20 = 20 mm  
- P40 = 40 mm

**-3STX2**

Integrated  
Vacuum Source :  
- 1ST  
- 2ST  
- 3ST

## versatile

- Gripping power remains constant whether single part or entire layer
- Switch from products, to slip sheets, to pallets without adjustment
- Rugged and not affected by dust

## compact

- Flush edge design for «place carton in box» applications
- Custom designs available for specific applications
- Units are self contained

## easy to install

- Quick connect 10mm compressed air connections
- Retrofit existing cups or existing pump system
- Joulin patented Wave System saves up to 50% energy consumption

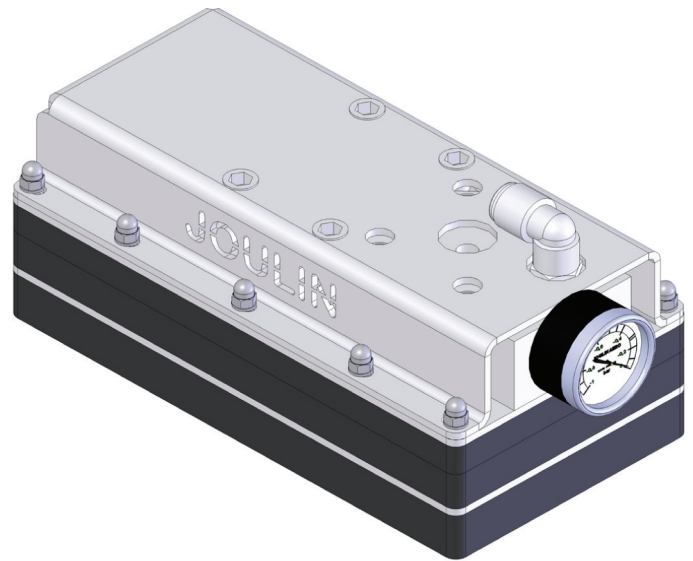
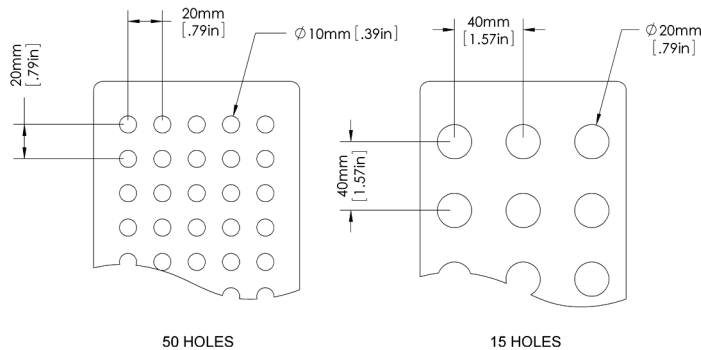
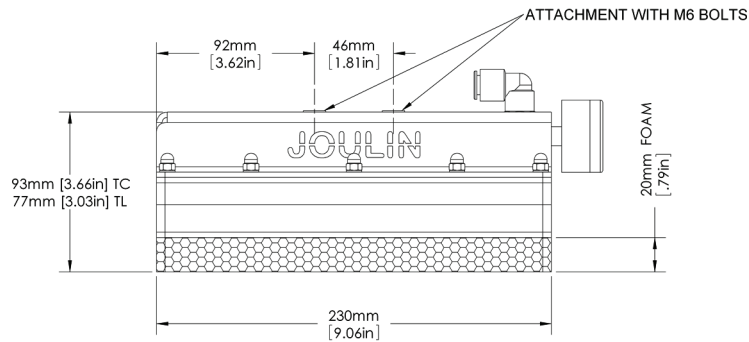
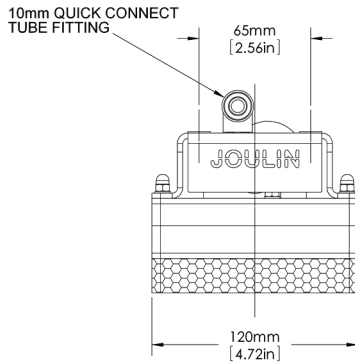
Click here or flash this  
code to see the video !



# PLUG&PICK

## Foam Vacuum Gripper

# PP120 x 230



Feed pressure: 6 bars - 87 psi		Holding Force N(Lbs)*		
		20% Vacuum	40% Vacuum	60% Vacuum
<b>VG 120x230</b>	Non-porous ...like steel	<b>140(30.8)</b>	<b>270(59.4)</b>	<b>400(88)</b>
	Semi-porous ...like wood	<b>130(28.6)</b>	<b>210(46.2)</b>	<b>250(55)</b>
	Porous ...like cardboard	<b>115(25.3)</b>	<b>200(44)</b>	<b>230(50.6)</b>
<b>PG 120x230</b>	Non-porous ...like steel	<b>140(30.8)</b>	<b>270(59.4)</b>	<b>400(88)</b>
	Semi-porous ...like wood	<b>100(22)</b>	<b>150(33)</b>	<b>200(44)</b>
	Porous ...like cardboard	<b>70(15.5)</b>	<b>120(26.4)</b>	<b>170(37.4)</b>

80% coverage is recommended for PG Grippers - \*fully covered, safety factor 1.5 already applied

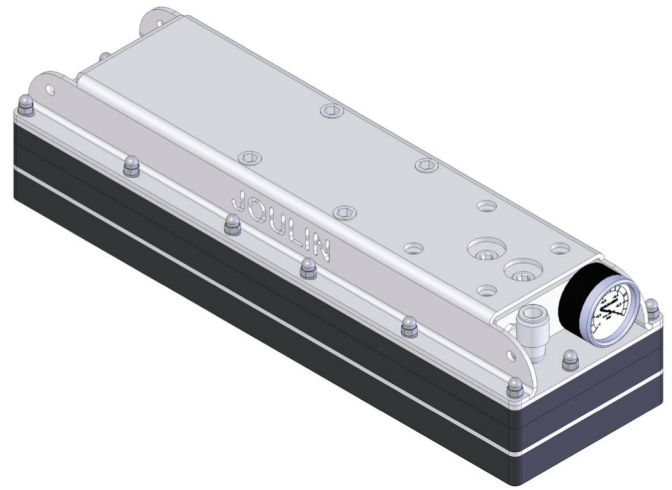
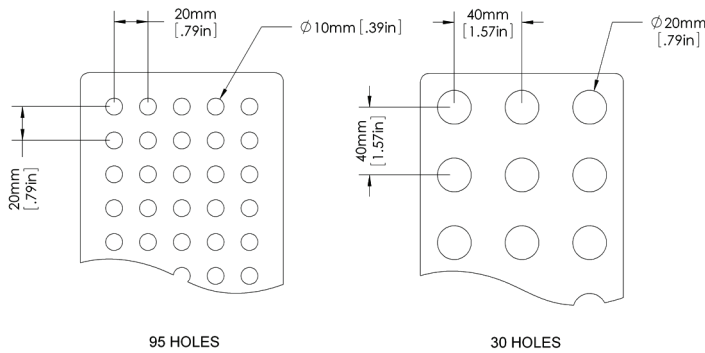
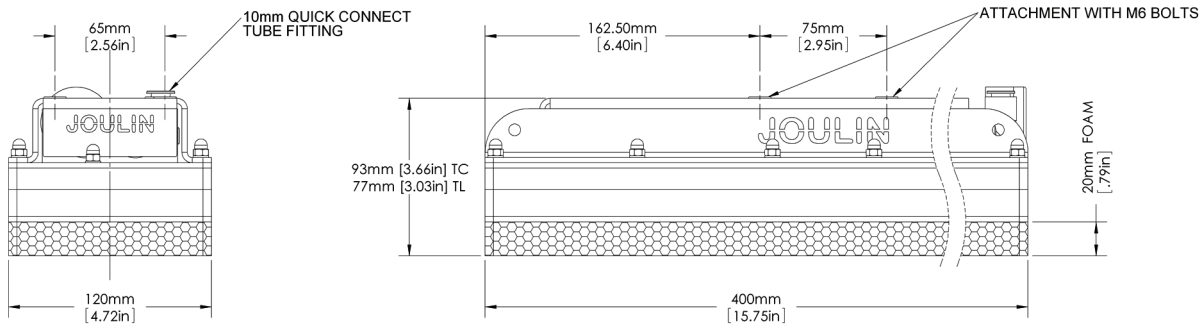
	Technical Data			Replaceable Parts	
	Air Consumption NI/sec(scfm)	Max Flow NI/sec(scfm)	Weight Kg(Lbs)	Foam Pad	Vacuum Generator
PP-PG120x230P20-2ST	<b>1.75(3.71)</b>	<b>3.3(6.99)</b>	<b>1.55(3.42)</b>	<b>PPF120.230-20</b>	<b>PPMS</b>
PP-VG120x230P20-3ST	<b>1.75(3.71)</b>	<b>6(12.7)</b>	<b>2.3(5.07)</b>	<b>PPF120.230-20</b>	<b>PPMS</b>
PP-PG120x230P40-2ST	<b>1.75(3.71)</b>	<b>3.3(6.99)</b>	<b>1.55(3.42)</b>	<b>PPF120.230-40</b>	<b>PPMS</b>
PP-VG120x230P40-3ST	<b>1.75(3.71)</b>	<b>6(12.7)</b>	<b>2.3(5.07)</b>	<b>PPF120.230-40</b>	<b>PPMS</b>

specifications are subject to change

# PLUG&PICK

## Foam Vacuum Gripper

# PP120 x 400



Feed pressure: 6 bars - 87 psi		Holding Force N(Lbs)*		
		20% Vacuum	40% Vacuum	60% Vacuum
<b>VG 120x400</b>	Non-porous ...like steel	<b>290(63.8)</b>	<b>570(125.4)</b>	<b>850(187)</b>
	Semi-porous ...like wood	<b>250(55)</b>	<b>340(74.8)</b>	<b>470(103.4)</b>
	Porous ...like cardboard	<b>190(41.8)</b>	<b>290(63.8)</b>	<b>400(88)</b>
<b>PG 120x400</b>	Non-porous ...like steel	<b>290(63.8)</b>	<b>560(123.2)</b>	<b>830(182.6)</b>
	Semi-porous ...like wood	<b>200(44)</b>	<b>340(74.8)</b>	<b>470(103.4)</b>
	Porous ...like cardboard	<b>180(39.6)</b>	<b>290(63.8)</b>	<b>400(88)</b>

80% coverage is recommended for PG Grippers - \*fully covered, safety factor 1.5 already applied

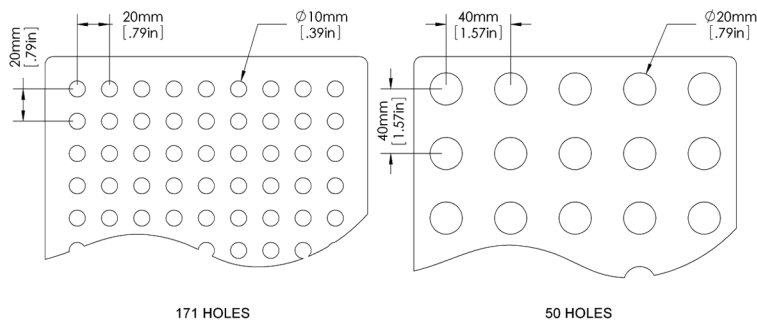
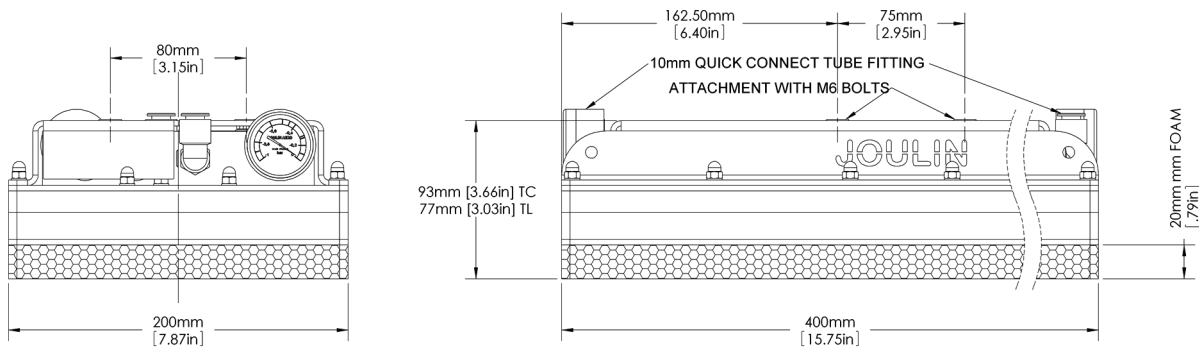
				Replaceable Parts	
	Air Consumption NI/sec(scfm)	Max Flow NI/sec(scfm)	Weight Kg(Lbs)	Foam Pad	Vacuum Generator
PP-PG120x400P20-2STX2	<b>3.5(7.42)</b>	<b>6.6(13.98)</b>	<b>2.5(5.15)</b>	<b>PPF120.400-20</b>	<b>PPMD</b>
PP-VG120x400P20-3STX2	<b>3.5(7.42)</b>	<b>12(25.4)</b>	<b>3.55(7.83)</b>	<b>PPF120.400-20</b>	<b>PPMD</b>
PP-PG120x400P40-2ST	<b>1.75(3.71)</b>	<b>3.3(6.99)</b>	<b>2.5(5.15)</b>	<b>PPF120.400-40</b>	<b>PPMD</b>
PP-VG120x400P40-3ST	<b>1.75(3.71)</b>	<b>6(12.7)</b>	<b>3.55(7.83)</b>	<b>PPF120.400-40</b>	<b>PPMD</b>

specifications are subject to change

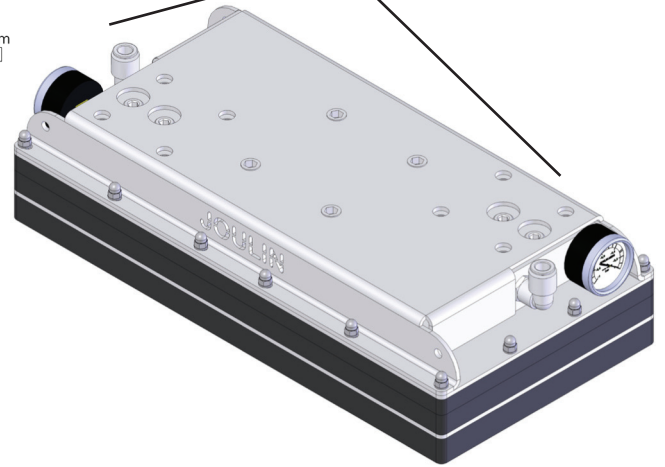
# PLUG&PICK

## Foam Vacuum Gripper

# PP200 x 400



**2 independent zones on Gripper are standard (by request on P40)**



Feed pressure: 6 bars - 87 psi		Holding Force N(Lbs)*		
		20% Vacuum	40% Vacuum	60% Vacuum
<b>VG 200x400</b>	Non-porous ...like steel	<b>640(140.8)</b>	<b>1170(257.4)</b>	<b>1420(312.4)</b>
	Semi-porous ...like wood	<b>360(79.2)</b>	<b>500(110)</b>	<b>650(143)</b>
	Porous ...like cardboard	<b>300(66)</b>	<b>490(107.8)</b>	<b>650(143)</b>
<b>PG 200x400</b>	Non-porous ...like steel	<b>630(138.6)</b>	<b>1170(257.4)</b>	<b>1420(312.4)</b>
	Semi-porous ...like wood	<b>360(79.2)</b>	<b>500(110)</b>	<b>650(143)</b>
	Porous ...like cardboard	<b>300(66)</b>	<b>433(94.6)</b>	<b>470(103.4)</b>

80% coverage is recommended for PG Grippers - \*fully covered, safety factor 1.5 already applied

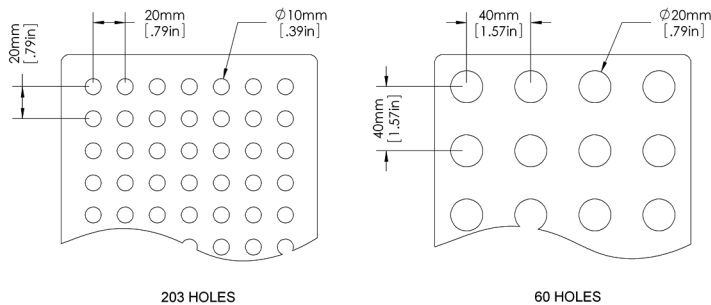
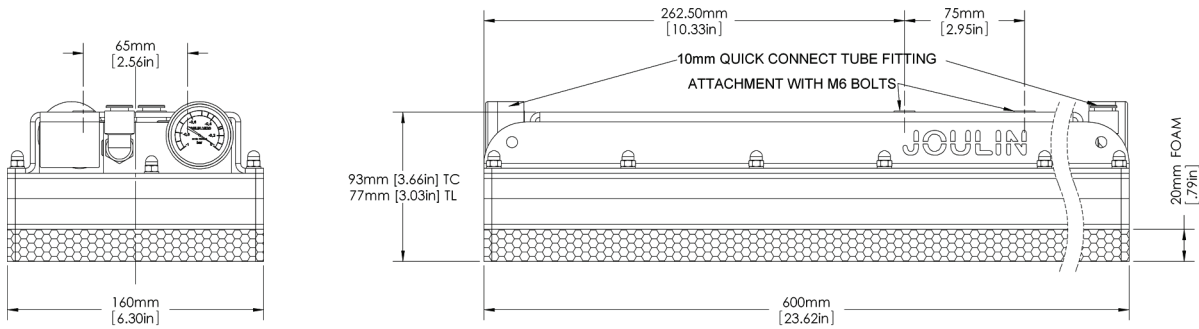
	Technical Data			Replaceable Parts	
	Air Consumption NI/sec(scfm)	Max Flow NI/sec(scfm)	Weight Kg(Lbs)	Foam Pad	Vacuum Generator
PP-PG200x400P20-2STX4	<b>7(14.84)</b>	<b>13.2(27.96)</b>	<b>3.9(8.6)</b>	<b>PPF200.400-20</b>	<b>2 x PPMD</b>
PP-VG200x400P20-3STX4	<b>7(14.84)</b>	<b>24(50.8)</b>	<b>6.15(13.56)</b>	<b>PPF200.400-20</b>	<b>2 x PPMD</b>
PP-PG200x400P40-2STX2	<b>3.5(7.42)</b>	<b>6.6(13.98)</b>	<b>3.9(8.6)</b>	<b>PPF200.400-40</b>	<b>2 x PPMD</b>
PP-VG200x400P40-3STX2	<b>3.5(7.42)</b>	<b>12(25.4)</b>	<b>6.15(13.56)</b>	<b>PPF200.400-40</b>	<b>2 x PPMD</b>

specifications are subject to change

# PLUG&PICK

## Foam Vacuum Gripper

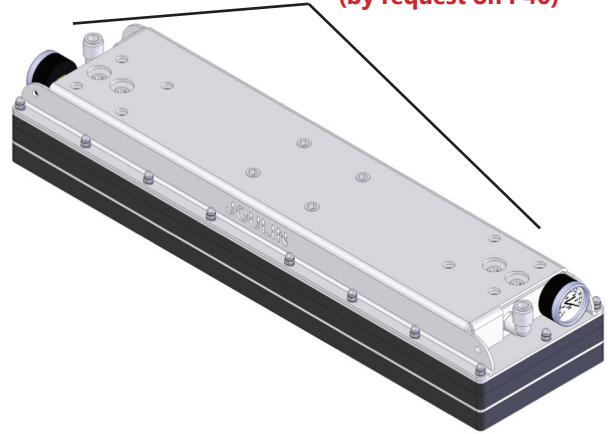
# PP160 x 600



203 HOLES

60 HOLES

**2 independent zones on Gripper are standard (by request on P40)**



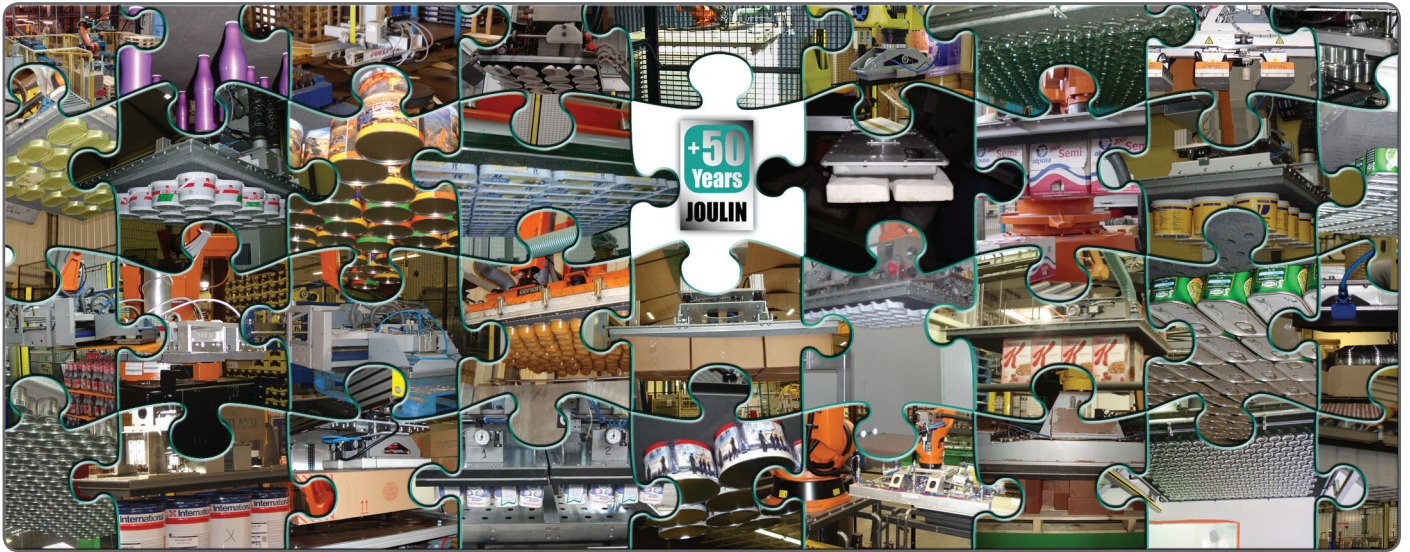
Feed pressure: 6 bars - 87 psi		Holding Force N(Lbs)*		
		20% Vacuum	40% Vacuum	60% Vacuum
<b>VG 160x600</b>	Non-porous ...like steel	<b>768(168.9)</b>	<b>1404(308.8)</b>	<b>1704(374.8)</b>
	Semi-porous ...like wood	<b>432(95)</b>	<b>600(132)</b>	<b>780(171.6)</b>
	Porous ...like cardboard	<b>360(79)</b>	<b>588(129)</b>	<b>780(171.6)</b>
<b>PG 160x600</b>	Non-porous ...like steel	<b>756(166.3)</b>	<b>1404(308.8)</b>	<b>1704(374.8)</b>
	Semi-porous ...like wood	<b>518(114)</b>	<b>600(132)</b>	<b>780(171.6)</b>
	Porous ...like cardboard	<b>432(95)</b>	<b>516(113.5)</b>	<b>564(124)</b>

80% coverage is recommended for PG Grippers - \*fully covered, safety factor 1.5 already applied

	Technical Data			Replaceable Parts	
	Air Consumption NI/sec(scfm)	Max Flow NI/sec(scfm)	Weight Kg(Lbs)	Foam Pad	Vacuum Generator
PP-PG160x600P20-2STX4	<b>7(14.84)</b>	<b>13.2(27.96)</b>	<b>4.6(10.14)</b>	<b>PPF160.600-20</b>	<b>2 x PPMD</b>
PP-VG160x600P20-3STX4	<b>7(14.84)</b>	<b>24(50.8)</b>	<b>7.2(15.87)</b>	<b>PPF160.600-20</b>	<b>2 x PPMD</b>
PP-PG160x600P40-2STX2	<b>3.5(7.42)</b>	<b>6.6(13.98)</b>	<b>4.6(10.4)</b>	<b>PPF160.600-40</b>	<b>2 x PPMD</b>
PP-VG160x600P40-3STX2	<b>3.5(7.42)</b>	<b>12(25.4)</b>	<b>7.2(15.87)</b>	<b>PPF160.600-40</b>	<b>2 x PPMD</b>

specifications are subject to change

# JOULIN



USA :

2551 Hwy 70 West  
HICKORY - NC 28602  
Phone : +(001)828 327 2290  
Fax : +(001)828 327 8678



<http://www.joulin.com>

Europe :

17 avenue des Grenots  
F-91150 ETAMPES  
Phone : +33 (0)1 69 92 16 16  
Fax : +33 (0)1 64 94 21 35

E-mail : [grippers@joulin.com](mailto:grippers@joulin.com)

### Have a problem handling your products ?

Team Joulin has 50 years of Research and Development resulting in better solutions, more options, and vacuum systems offering greater flexibility than ever before.