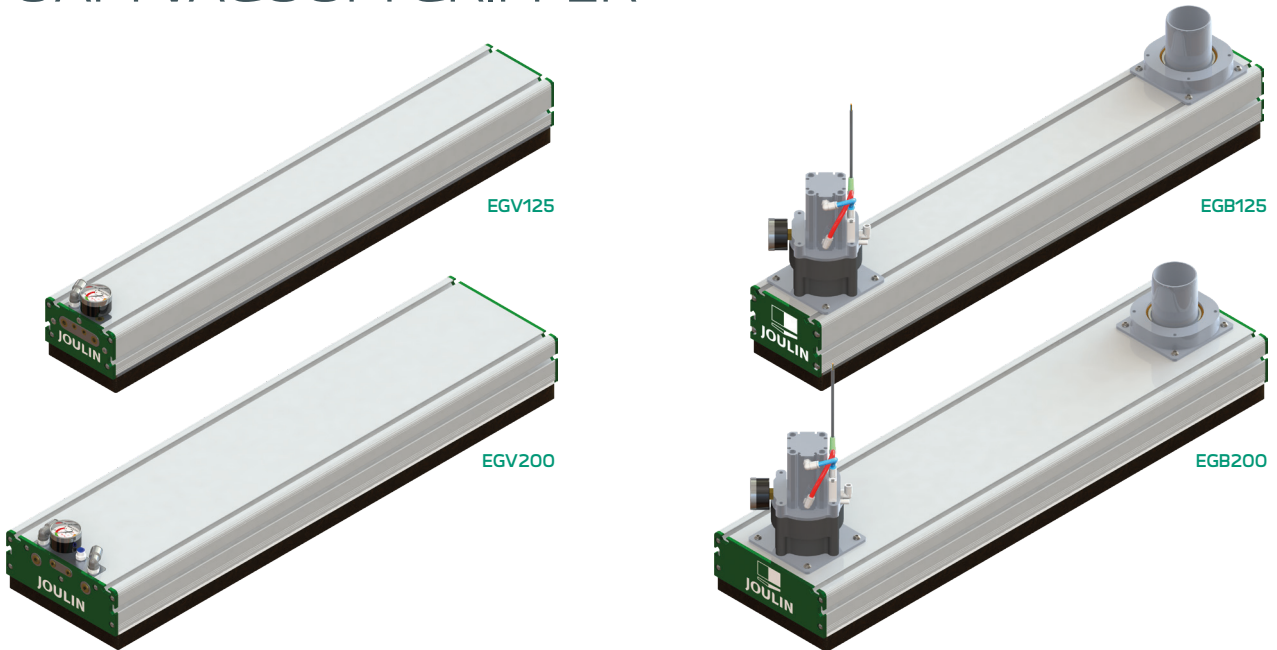


EXTRU GRIP

FOAM VACUUM GRIPPER



Designed for modularity

CONCEPT

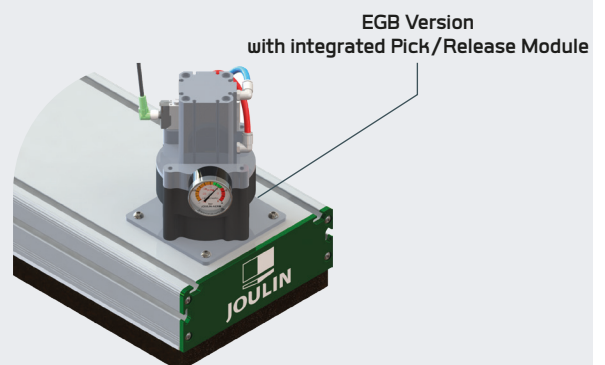
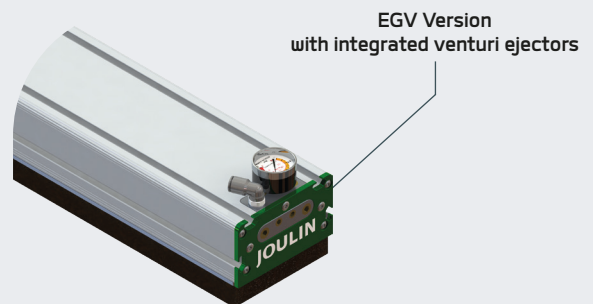
- All Joulin's technology in an aluminum profile
- External vacuum source or internal with venturi ejectors
- Different foam patterns to fit your application
- Easily adaptable on existing equipment

BENEFITS

- Integrated pick/release module on EGB version
- Modular for picking layers of products
- Adaptable in length up to 3000mm
- Maximum rigidity
- Possibility of partial picking or releasing of products
- Simplified adjustment of options in profile grooves

EASY TO CUSTOMIZE

- 2 available technologies: valves or calibrated holes
- Easy to install by fixing into the grooves
- Low weight compared to Lumber Gripper (LG)



Made in USA



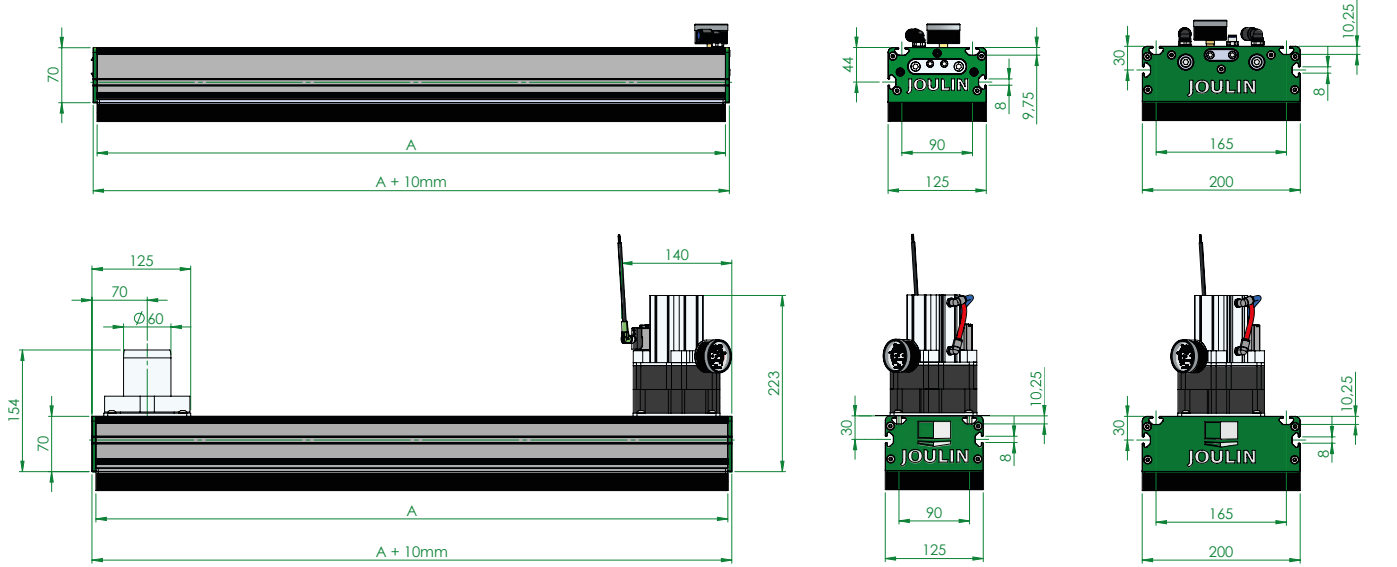
Made in France

Innovative solutions for your handling projects

EXTRU GRIP

FOAM VACUUM GRIPPER

INTEGRATING DATA



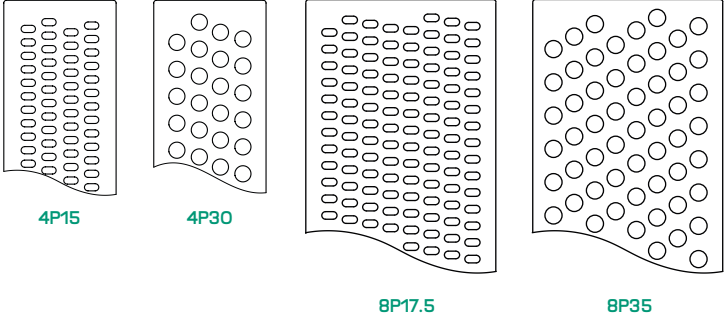
Length of the foam A (mm)	125mm				200mm			
	EGV Weight (kg)	EGB Weight (kg)	Air Consumption (NI/sec) - EGV		EGV Weight (kg)	EGB Weight (kg)	Air Consumption (NI/sec) - EGV	
			4P15	4P30			8P17.5	8P35
250	2,7	-	3,5	1,75	4,4	-	5,25	3,5
400	3,9	4,3	3,5	1,75	5,9	6,1	7	3,5
600	5,4	5,8	5,25	3,5	8,1	8,3	8,75	5,25
800	6,9	7,3	7	3,5	10,4	10,6	12,25	7
1200	9,9	10,3	8,75	5,25	15,9	14,7	17,5	8,75
1400	11,4	11,8	14	7	17,7	16,9	21	10,5

LABELLING

EGV -VG -125x800 -4P30 -3STX2

- Range of the gripper**
 - EGV Integrated ejectors
 - EGB External vacuum
- Technology**
 - PG Port Gripper
 - VG Valve Gripper
- Standards dimensions**
 - 125 ou 200x250
 - 125 ou 200x400
 - 125 ou 200x600
 - 125 ou 200x800
 - 125 ou 200x1200
 - 125 ou 200x1400
- Custom**
 - 125 ou 200x...
- Pitch**
 - 4P15 15mm
 - 4P30 30mm
 - 8P17,5 17.5mm
 - 8P35 35mm
- Integrated vacuum source (EGV only)**
 - 2ST 2 stages
 - 3ST 3 stages

FOAM DENSITY



Europe

17 avenue des Grenots
91150 ETAMPES - FRANCE

Tél. +33 (0)1 69 92 16 16
Fax +33 (0)1 64 94 21 35



USA

2551 HWY 70 SW - HICKORY
NC-28602

Phone: +(1)828 327 2290
Fax: +(1)828 327 8678



JOULIN
vacuum handling