

JOULIN



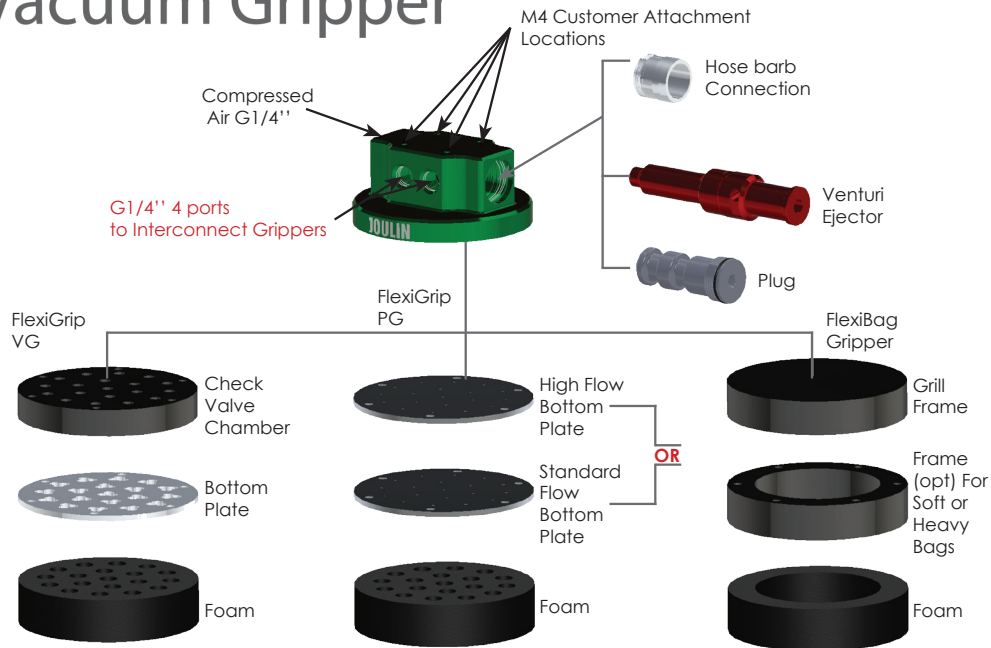
FLEXIGRIP

Foam Vacuum Gripper

Designed,
engineered and
ready for installation

FLEXIGRIP

Foam Vacuum Gripper



FG-

Range of the gripper

VG-

Technology :

- VG = Valve Gripper
- PG = Port Gripper
- FB = Flexi Bag

GS 120

Dimensions :

- GR 80 = Round gripper Ø80 mm
- GS 80 = Square gripper 80 x 80 mm
- GR 100 = Round gripper Ø100 mm
- GS 120 = Square gripper 120 x 120 mm

-AF

Frame :

- NF = with Normal Frame
- AF = with Additional Frame

-2ST

Integrated Vacuum Source :

- 1ST
- 2ST
- PLUG
- HB = Hose Barb
- XB = External Barb

concept

- Foam vacuum "cups" to pick up rough, uneven surfaces
- Modular design allows fast set up for product change
- Easy integration with existing equipment

benefits

- May be powered by internal cartridge or remote vacuum generator
- Multiple grippers may share a common vacuum source to reduce energy consumption
- Rough, porous, twisted, uneven surfaces and bags can be picked up

easy to install

- (4)M4 thread holes on gripper top for easy mounting
- 10mm quick connection or Hose barb for compressed air or external vacuum supply
- Joulin patented Wave System™ saves up to 50% energy consumption

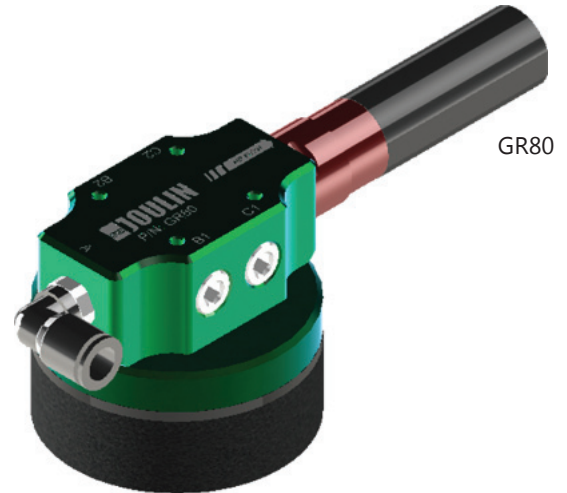
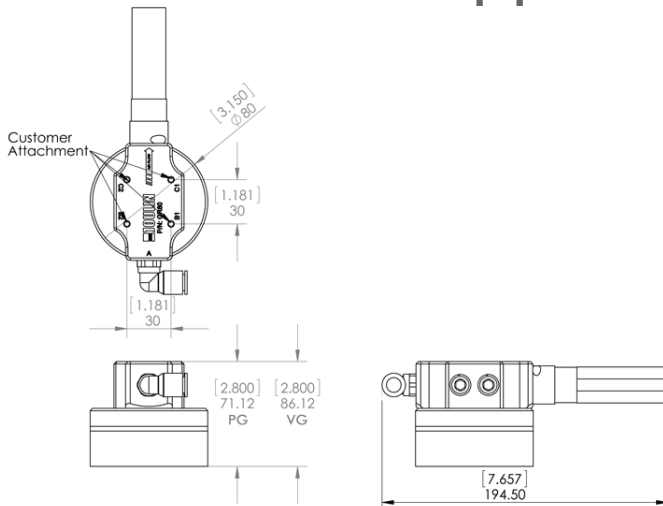
Click here or flash this code to see the video !



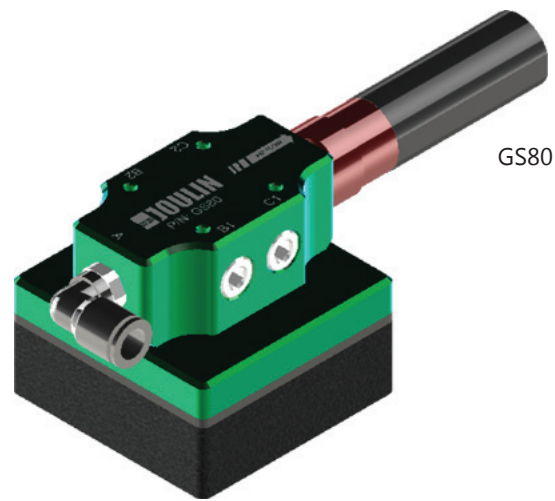
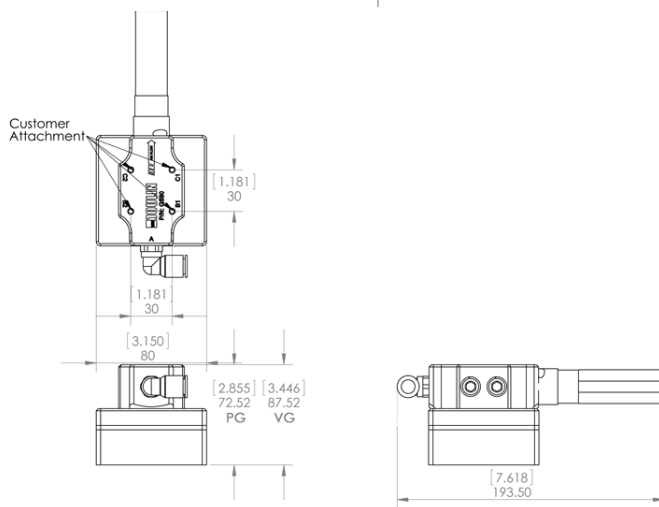
FLEXIGRIP

Foam Vacuum Gripper

GR/GS80



GR80



GS80

| Feed pressure: 6 bars - 87 psi | | Holding Force N(Lbs)* | | |
|--------------------------------|--------------------------|-----------------------|-----------------|-----------------|
| | | 20% Vacuum | 40% Vacuum | 60% Vacuum |
| GR80 | Non-porous ...like steel | 23(5) | 41(9) | 58(12.7) |
| | Semi-porous ...like wood | 20(4.4) | 30(6.6) | 41(9) |
| | Porous ...like cardboard | 17(3.7) | 24(5.2) | 33(7.2) |
| GS80 | Non-porous ...like steel | 30(6.6) | 52(11.4) | 74(16.3) |
| | Semi-porous ...like wood | 26(5.7) | 39(8.6) | 52(11.4) |
| | Porous ...like cardboard | 22(4.8) | 31(6.8) | 41(9) |

80% coverage is recommended for PG Grippers - Identical values for PG/FB - *fully covered, safety factor 1.5 already applied

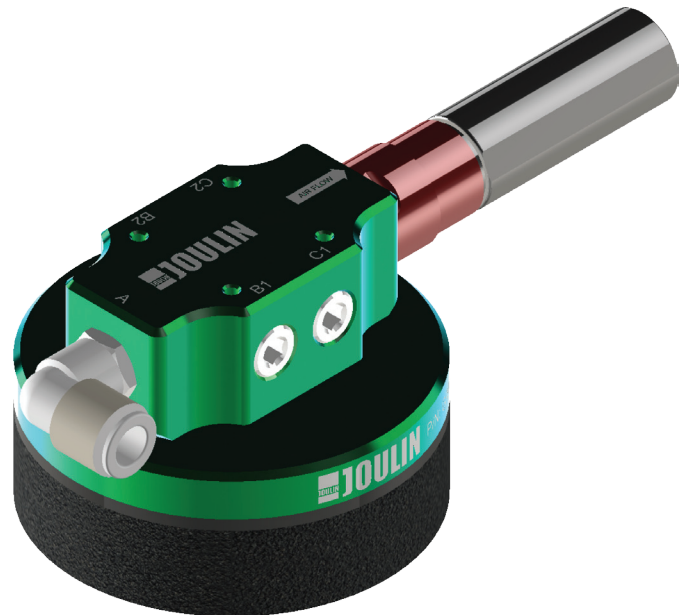
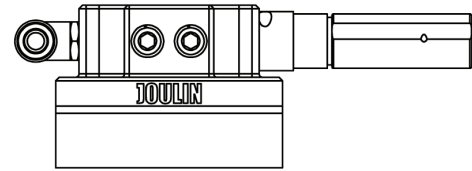
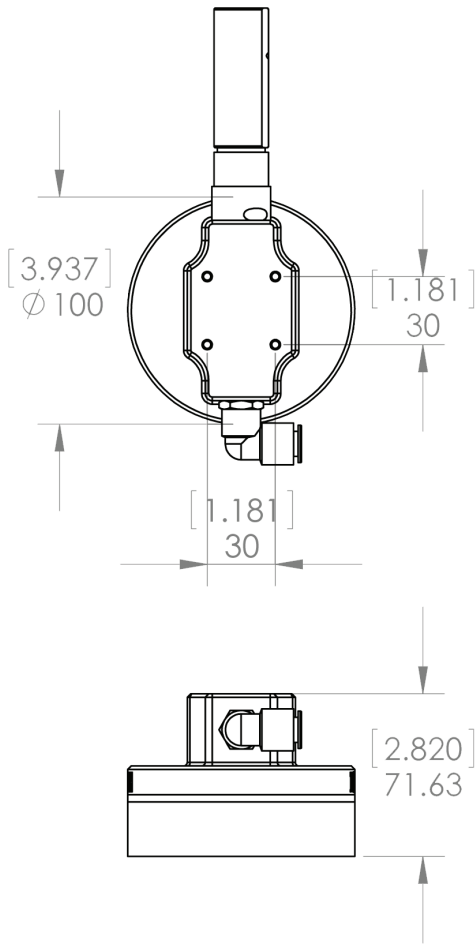
| | Technical Data | | | Replaceable Parts | |
|----------------|------------------------------|-----------------------|------------------|-------------------|------------------|
| | Air Consumption NI/sec(scfm) | Max Flow NI/sec(scfm) | Weight Kg(Lbs) | Foam Pad | Vacuum Generator |
| FG-PG-GR80-2ST | 1.75(3.71) | 3.3(6.99) | 0.4(0.88) | FGRF80 | IM |
| FG-VG-GR80-2ST | 1.75(3.71) | 3.3(6.99) | 0.5(1.1) | FGRF80 | IM |
| FG-PG-GS80-2ST | 1.75(3.71) | 3.3(6.99) | 0.5(1.1) | FGF80.8 | IM |
| FG-VG-GS80-2ST | 1.75(3.71) | 3.3(6.99) | 0.6(1.32) | FGF80.8 | IM |
| FG-FB-GR80-2ST | 1.75(3.71) | 3.3(6.99) | 0.5(1.1) | FGBRF80 | IM |
| FG-FB-GS80-2ST | 1.75(3.71) | 3.3(6.99) | 0.6(1.32) | FGBF80 | IM |

specifications are subject to change

FLEXIGRIP

Foam Vacuum Gripper

GR100



| Feed pressure: 6 bars - 87 psi | | Holding Force N(Lbs)* | | |
|--------------------------------|--------------------------|-----------------------|-----------------|------------------|
| | | 20% Vacuum | 40% Vacuum | 60% Vacuum |
| GR100 | Non-porous ...like steel | 43(9.5) | 76(16.7) | 114(25.1) |
| | Semi-porous ...like wood | 38(8.3) | 49(10.8) | 65(14.3) |
| | Porous ...like cardboard | 32(7) | 49(10.8) | 65(14.3) |

80% coverage is recommended for PG Grippers - Identical values for PG/VG/FB - *fully covered, safety factor 1.5 already applied

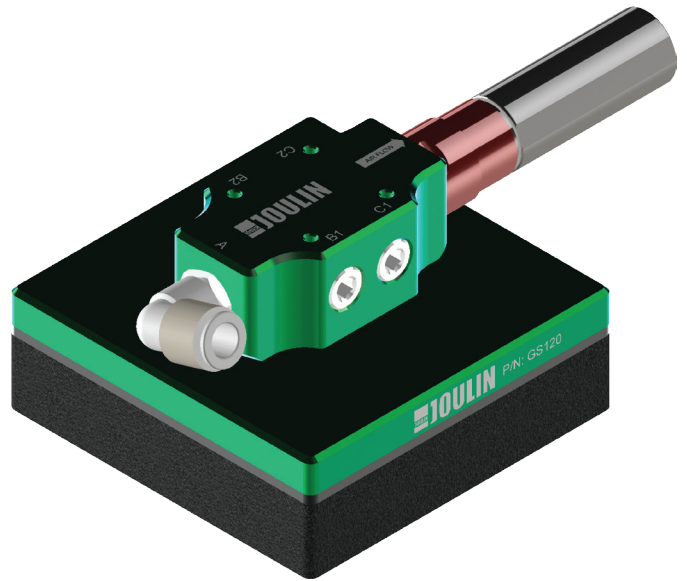
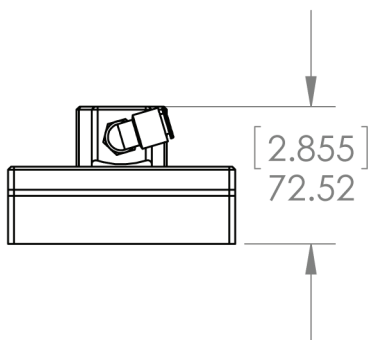
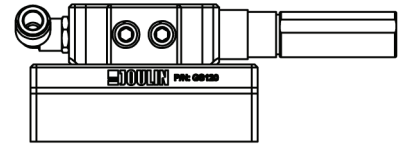
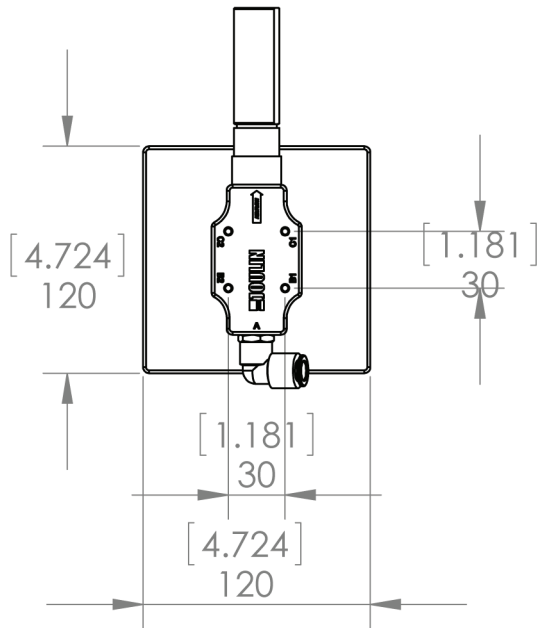
| | Technical Data | | | Replaceable Parts | |
|-----------------|------------------------------|-----------------------|------------------|-------------------|------------------|
| | Air Consumption NI/sec(scfm) | Max Flow NI/sec(scfm) | Weight Kg(Lbs) | Foam Pad | Vacuum Generator |
| FG-PG-GR100-2ST | 1.75(3.71) | 3.3(6.99) | 0.5(1.1) | FGR100 | IM |
| FG-VG-GR100-2ST | 1.75(3.71) | 3.3(6.99) | 0.6(1.32) | FGR100 | IM |
| FG-FB-GR100-2ST | 1.75(3.71) | 3.3(6.99) | 0.6(1.32) | FGBR100 | IM |

specifications are subject to change

FLEXIGRIP

Foam Vacuum Gripper

GS120



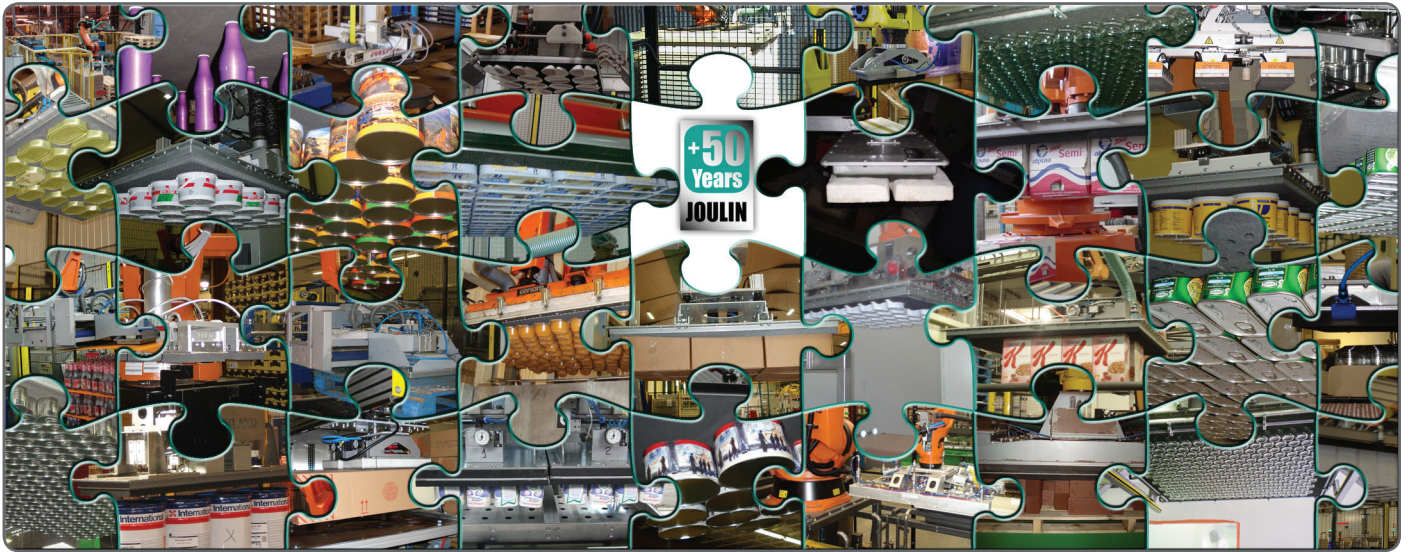
| Feed pressure: 6 bars - 87 psi | | Holding Force N(Lbs)* | | |
|--------------------------------|--------------------------|-----------------------|------------|------------|
| | | 20% Vacuum | 40% Vacuum | 60% Vacuum |
| GS120 | Non-porous ...like steel | 80(17.6) | 140(30.8) | 210(46.2) |
| | Semi-porous ...like wood | 70(15.4) | 90(19.8) | 120(26.4) |
| | Porous ...like cardboard | 60(13.2) | 90(19.8) | 120(26.4) |

80% coverage is recommended for PG Grippers - Identical values for PG/VG/FB - *fully covered, safety factor 1.5 already applied

| | Technical Data | | | Replaceable Parts | |
|-----------------|------------------------------|-----------------------|----------------|-------------------|------------------|
| | Air Consumption NI/sec(scfm) | Max Flow NI/sec(scfm) | Weight Kg(Lbs) | Foam Pad | Vacuum Generator |
| FG-PG-GS120-2ST | 1.75(3.71) | 3.3(6.99) | 0.8(1.76) | FGF120.120 | IM |
| FG-VG-GS120-2ST | 1.75(3.71) | 3.3(6.99) | 1.0(2.20) | FGF120.120 | IM |
| FG-FB-GS120-2ST | 1.75(3.71) | 3.3(6.99) | 1.0(2.20) | FGBF120.120 | IM |

specifications are subject to change

JOULIN



USA :

2551 Hwy 70 West
HICKORY - NC 28602
Phone : +(001)828 327 2290
Fax : +(001)828 327 8678



<http://www.joulin.com>

Europe :

17 avenue des Grenots
F-91150 ETAMPES
Phone : +33 (0)1 69 92 16 16
Fax : +33 (0)1 64 94 21 35

E-mail : grippers@joulin.com

Have a problem handling your products ?

Team Joulin has 50 years of Research and Development resulting in better solutions, more options, and vacuum systems offering greater flexibility than ever before.